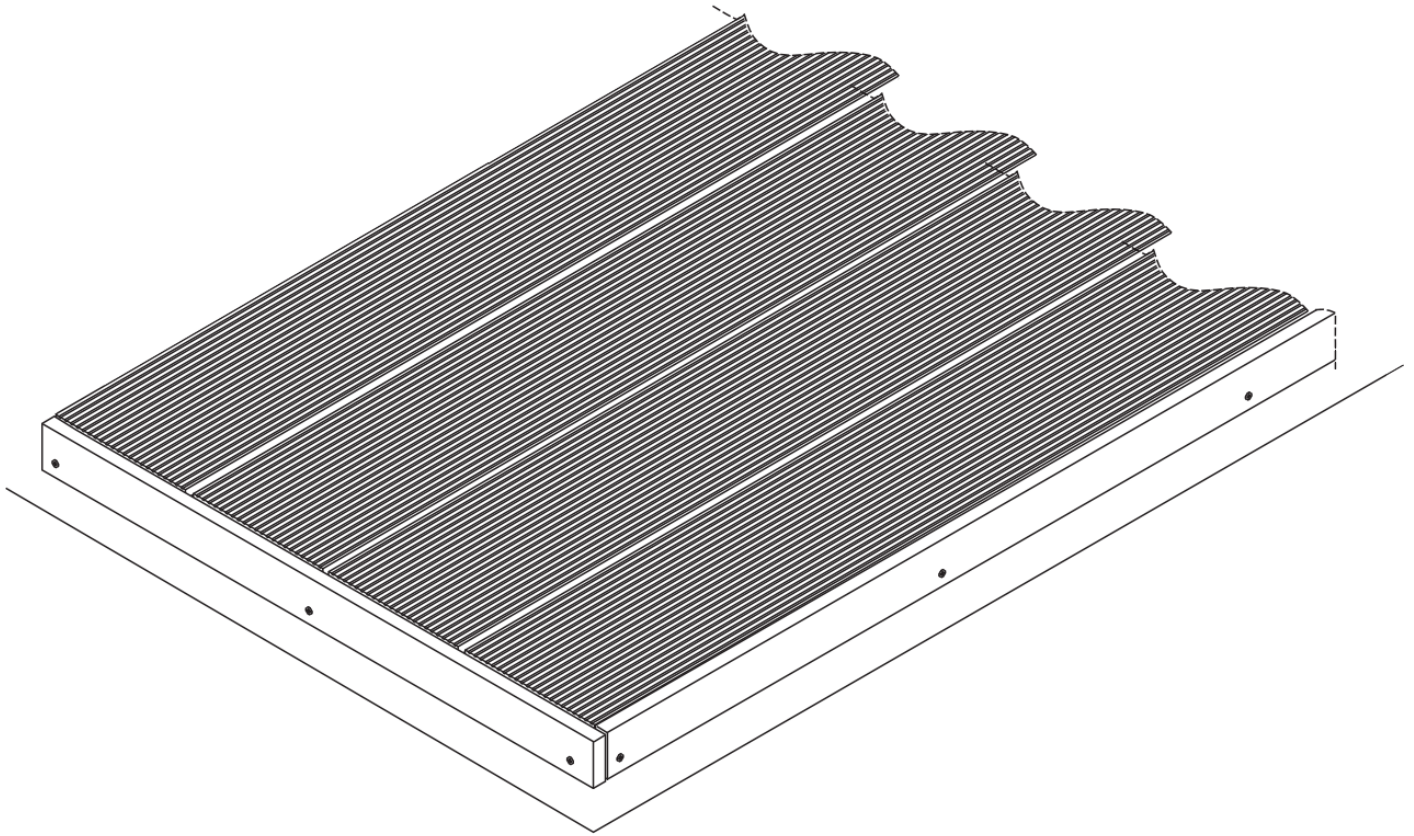




Timberdeck Sdn. Bhd. (945282-V)

*A Perfect Blend of WPC Technology and Art*

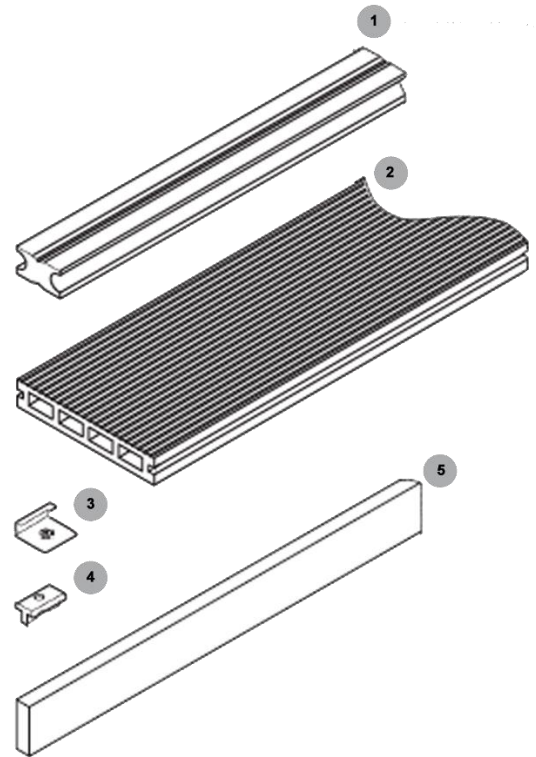


# **BASIC INSTALLATION GUIDE**

## **DECKING**

## Decking Components

1. Boisdeck Joist  
3050mm long x 40mm wide x 25mm deep
2. Boisdeck Decking Plank  
Available in two sizes:  
3050mm long x 140mm wide x 25mm deep  
3050mm long x 140mm wide x 20mm deep
3. Boisdeck Start/Stop Stainless Steel Clip
4. Boisdeck Nylon Clip (Fastener)  
Available in two sizes:  
13mm for 25mm wide x 25mm deep planks  
10mm for 20mm wide x 20mm deep planks
5. Boisdeck End Plate  
Available in two sizes:  
2000mm long x 10mm wide x 90mm deep  
2000mm long x 08mm wide x 50mm deep



## Fittings and Tools Recommended

### Fittings

Rawlplugs/screws for fixing joists to hard surface

Stainless steel screws no.6, 12mm for fixing Boisdeck start/stop stainless clips

Stainless steel screws no.6, 25mm for fixing Boisdeck nylon clips 250mm

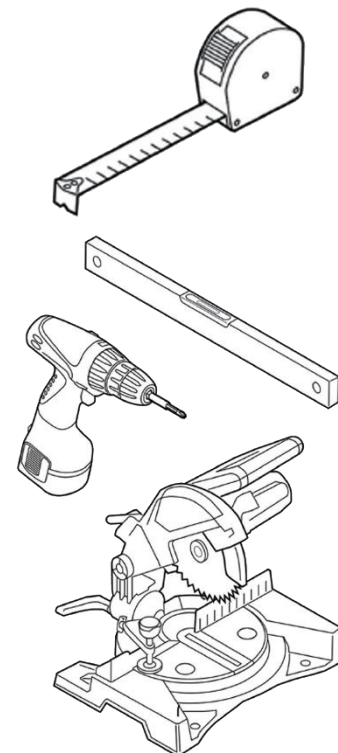
### Tools

Tape measure

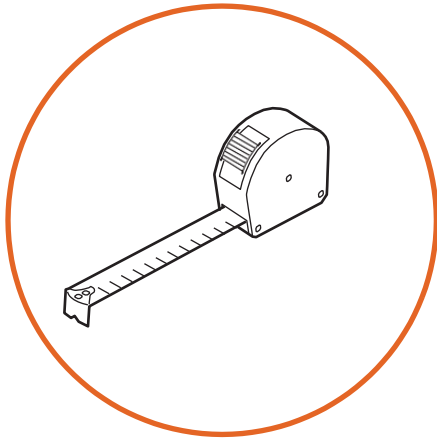
Spirit level

Power screwdriver

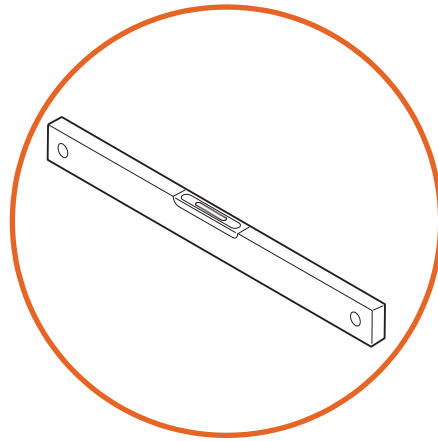
Mitre saw



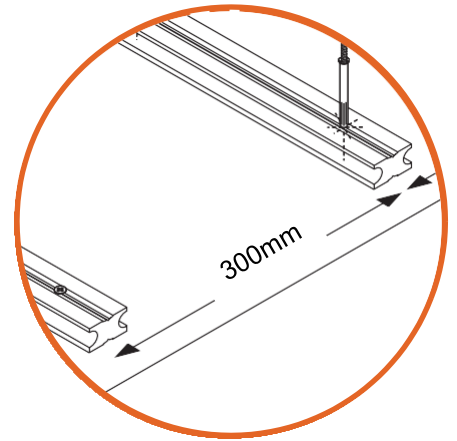
## Quick Overview



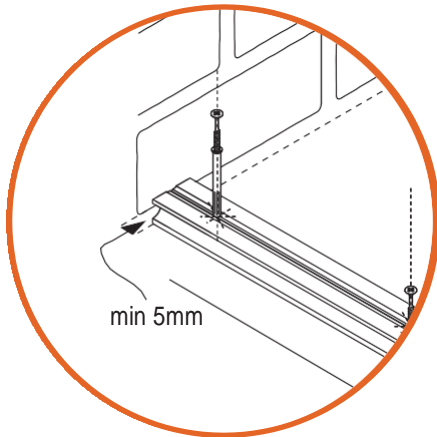
Measure your site and plan out your deck carefully



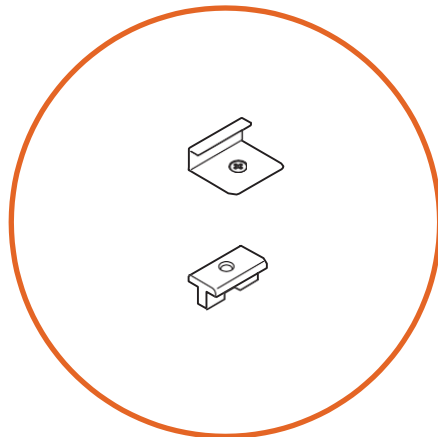
Ensure the ground is solid, well prepared and slightly sloping away from buildings to aid drainage



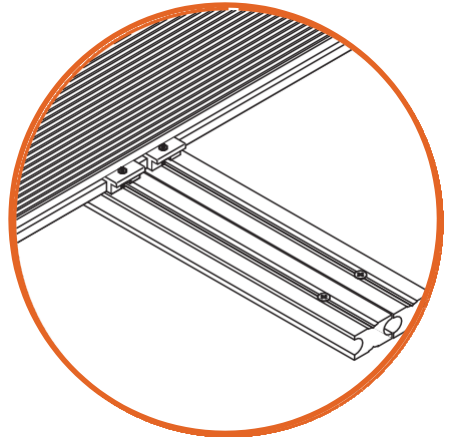
Boisdeck joists should be fixed securely into solid ground at 250mm or max 300mm centralise



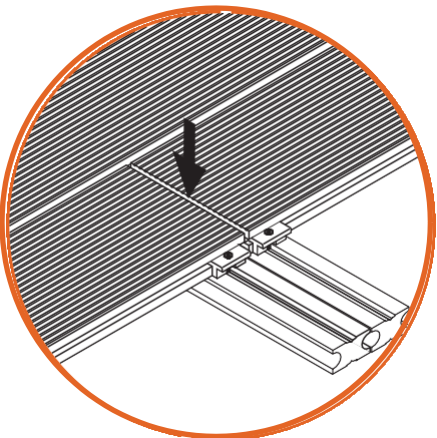
Allow a minimum gap 5mm expansion gap between joists and any surrounding walls



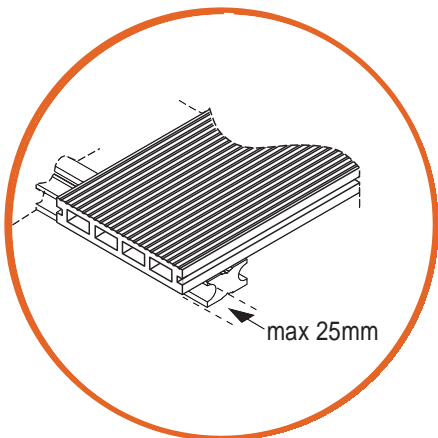
USE ONLY Boisdeck start/stop clips and Boisdeck nylon clips



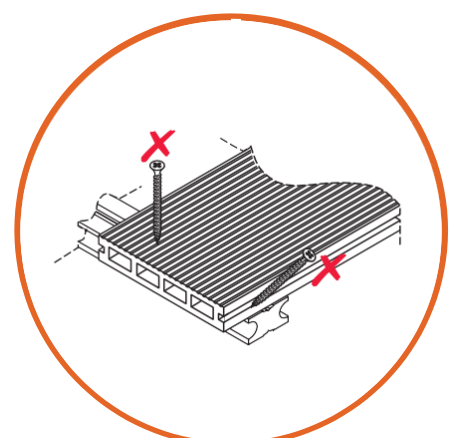
Double-up Boisdeck joists & clips side-by-side to support any end-to-end plank joints



Leave an 5mm gap between end-to-end plank joints to allow for expansion

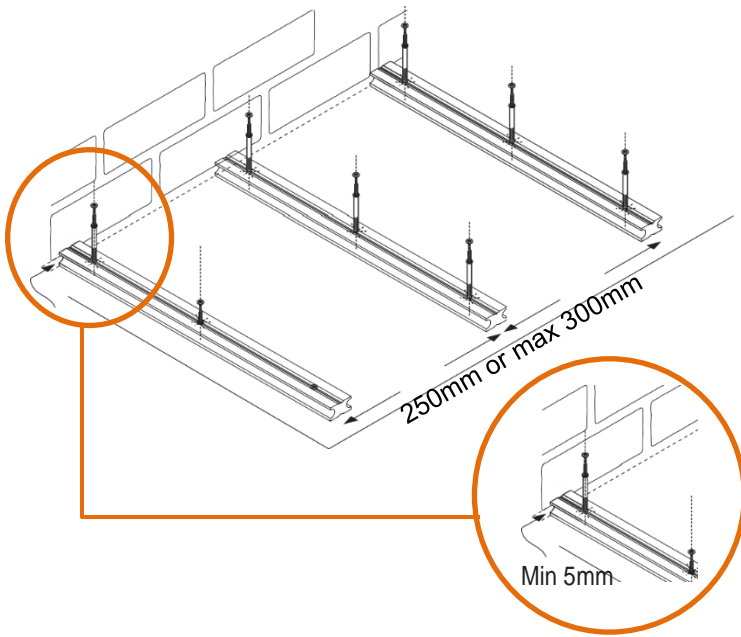


End of planks may overhang joist sides by a maximum of 25mm



DO NOT screw directly into planks, only use with Boisdeck clips

## Installation



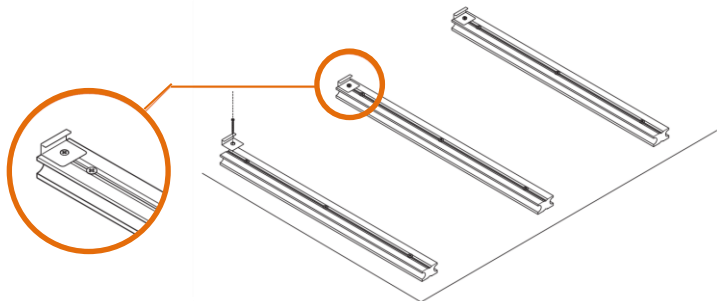
1. Anchor the Boisdeck's joists (to a level hard surface) at 250mm or max 300mm centers with screws and rawlplugs.

Allow a minimum 5mm expansion gap between joists and any surrounding walls.

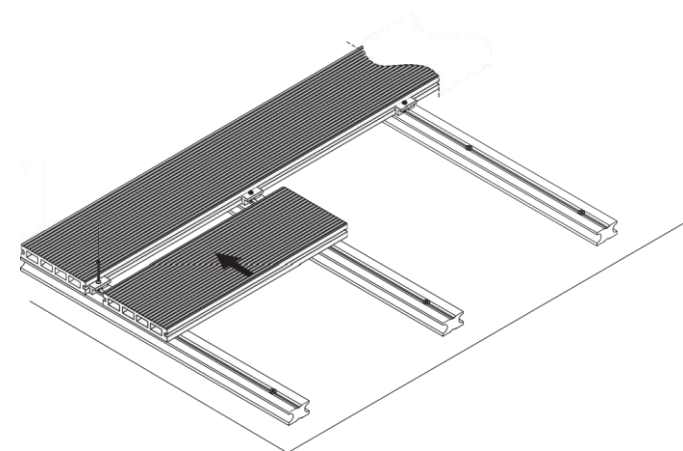
Sufficient allowance for fall must be made when constructing the substructure.

The area under the deck should be dry and clear of vegetation. Drainage will be required if the ground below the deck typically holds water.

*Note: Good ventilation is necessary between the boards and surface beneath. Airflow should be unobstructed and any water should be able to drain away freely.*

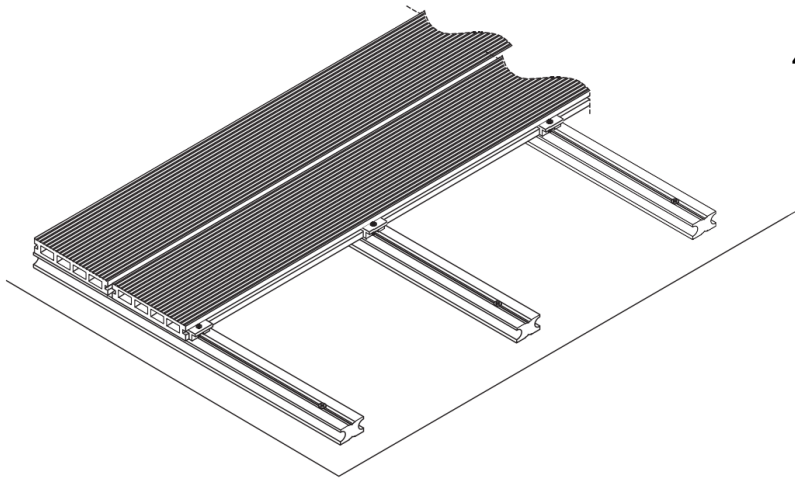


2. Fix Boisdeck's stainless clips to start position on joists using 12mm stainless screws.

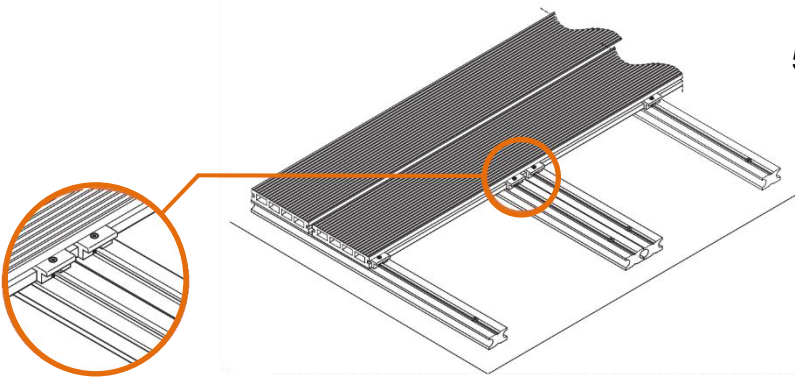


3. Fix first plank into Boisdeck's stainless start/stop clips. Secure plank on its other edge with Boisdeck's nylon clips using stainless screws, tighten screws only lightly at this stage of installation to allow for later adjustment.

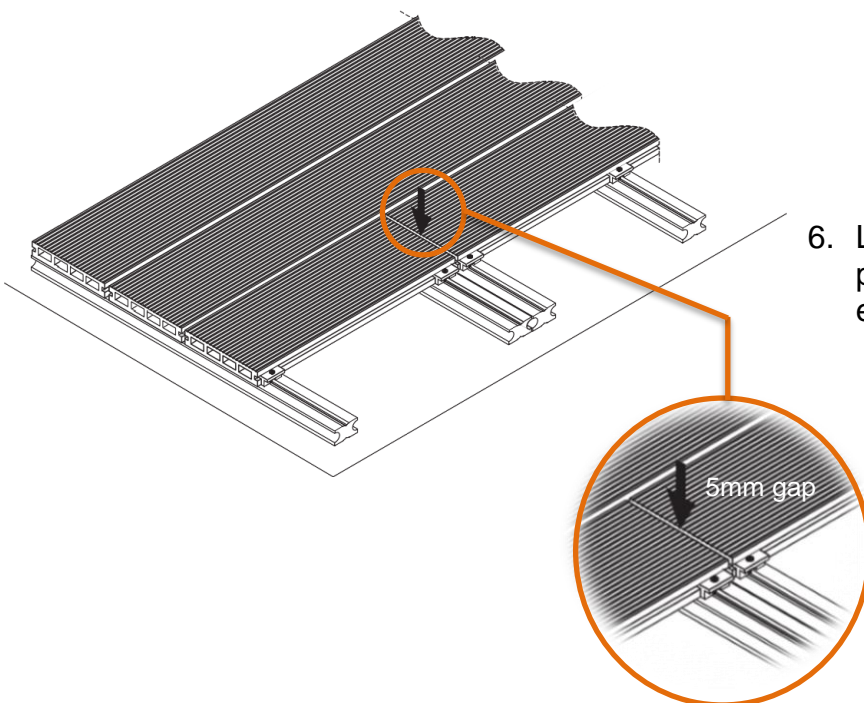
We recommended using a short section of plank to help support the Boisdeck's nylon clip while screwing down, this ensures the clip is fully straight for the next board to be slotted into place.



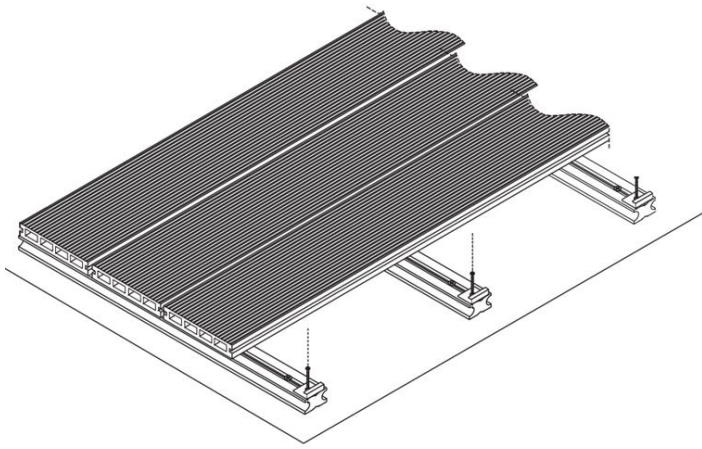
4. Fix further planks snugly together with Boisdeck's nylon clips and again, a short section of plank to help support the Boisdeck's nylon clip while screwing down. Remember to tighten screws only lightly at this stage of installation to allow for later adjustment.



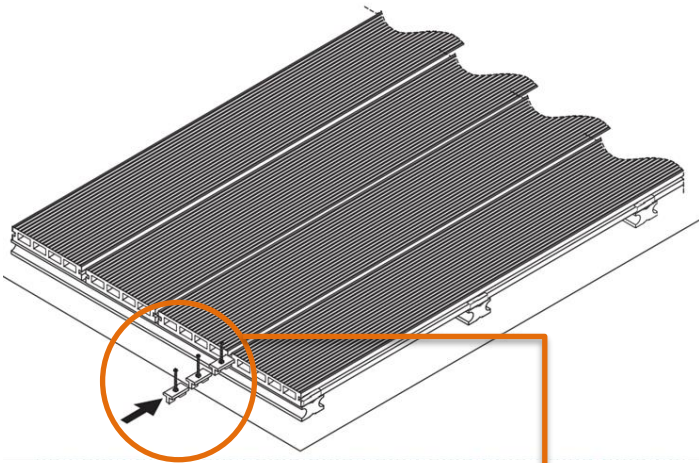
5. Double-up Boisdeck's joists side by side to support any end-to-end plank joints. Use a Boisdeck's nylon clips on each joist to secure plank ends.



6. Leave an 5mm gap between end-to-end plank joints (arrowed) to allow for thermal expansion.

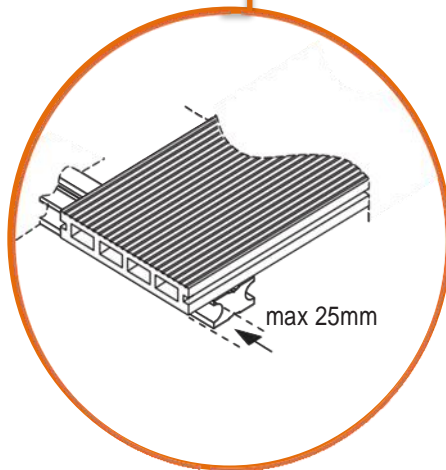


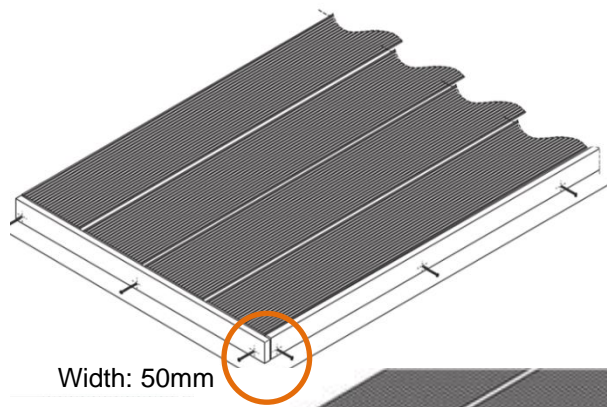
7. Slot the penultimate plank into position, allowing for the width of the final plank and its nylon clips, screw Boisdeck's stainless start/stop clips into place.



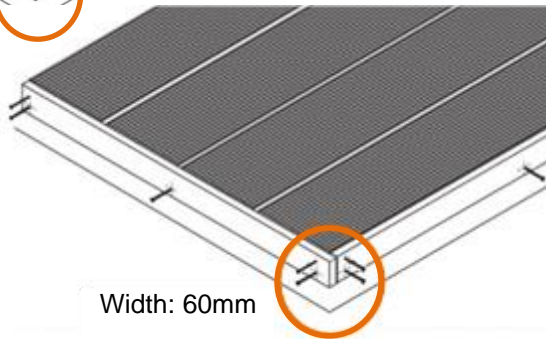
8. Fix last plank into Boisdeck's stainless start/stop clips. Slide final nylon clips into place and secure with screws. Check all decking planks are correctly aligned and then tighten fully all nylon clip screws.

End of planks may overhang joist sides by a maximum of 25mm





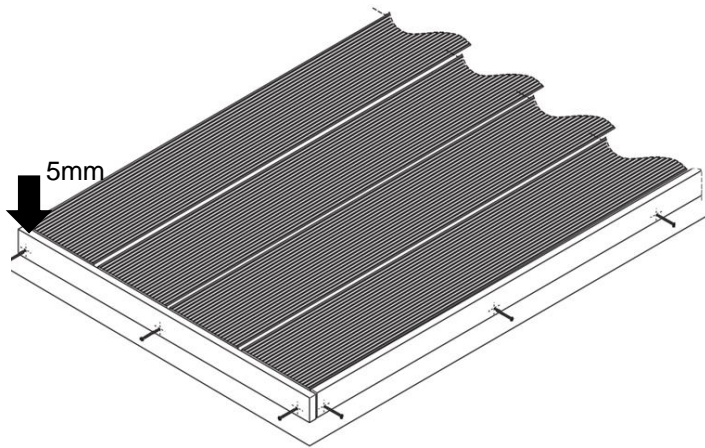
Width: 50mm



Width: 60mm

9. If required, fit Boisdeck's end plates/edge trim cutting lengthways as necessary to correct depth and fix into joists (or planks where there is an overhang) with stainless screws at least every second plank (one feet).

Fascia wider than 60mm will require more fastener requirements on both ends.



5mm

10. Fascia utilized round the perimeter of a deck must be gapped with the same requirements as decking to allow our floor expansion/contraction.

Note: Planks should not be attached directly to any solid surface (or watertight flooring system, such as concrete, brick or tiled patios, waterproof membranes or roofing).

Your Installation Is Now Complete

#### Remarks:

All specifications suggested in this guide are based on use under normal condition only. Kindly counter check with the supplier/manufacturer for use under special conditions.