

# **BASIC INSTALLATION GUIDE**

## **CEILING PANEL**

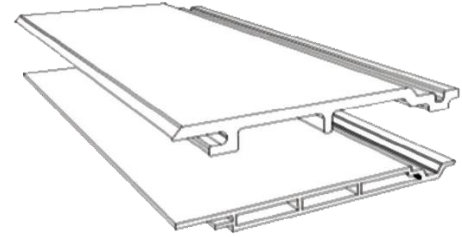
## Ceiling Panel Components

### 1. Boisdeck Ceiling Panel

Available in two sizes:

3050mm length x 120mm width x 11.50mm height

3050mm length x 120mm width x 8mm height (hollow)



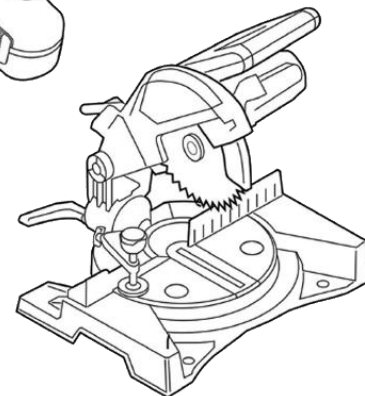
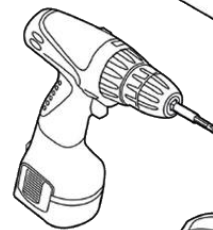
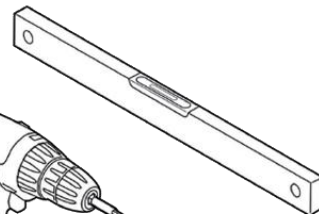
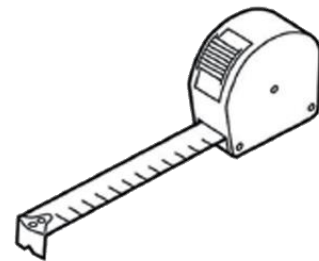
## Fittings and Tools Recommended

### Fittings

Top cross rails, furring channels, suspended rods, suspended clips

Stainless steel screws no.6, 12mm for fixing Boisdeck ceiling panel (in the groove)

Stainless steel screws no.6, 25mm for fixing Boisdeck ceiling panel (on the surface of the 1<sup>st</sup> and last panels)



### Tools

Tape measure

Spirit level

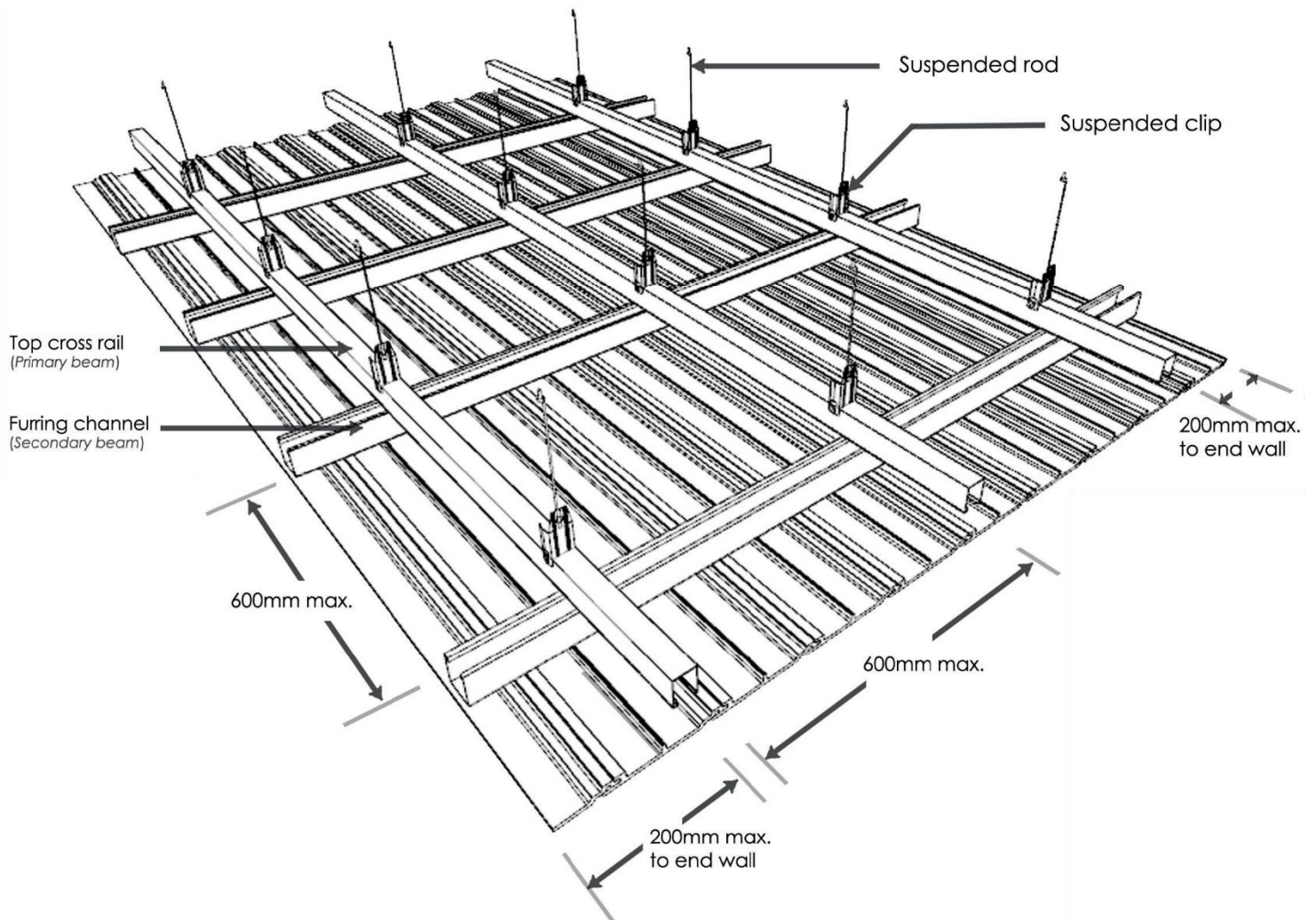
Power screwdriver

Mitre saw

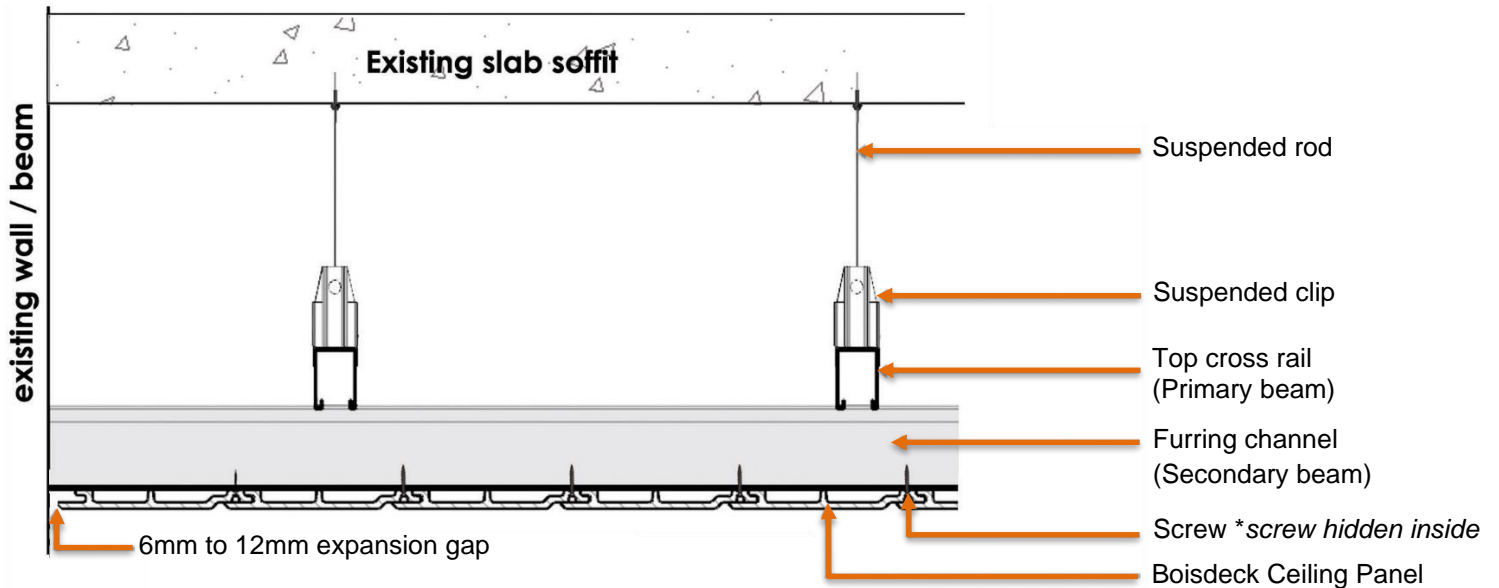
## Site Preparation

1. Ensure that all related/conjunction services, i.e., plumbing, electrical, air-conditioning, etc., works are done before starting any installation work.
2. Get ready a proper/secured/sheltered place for temporary storage and working space.
3. Ensure that safe access and safe working conditions, i.e., scaffoldings (if required), etc., are in place before starting any installation work.

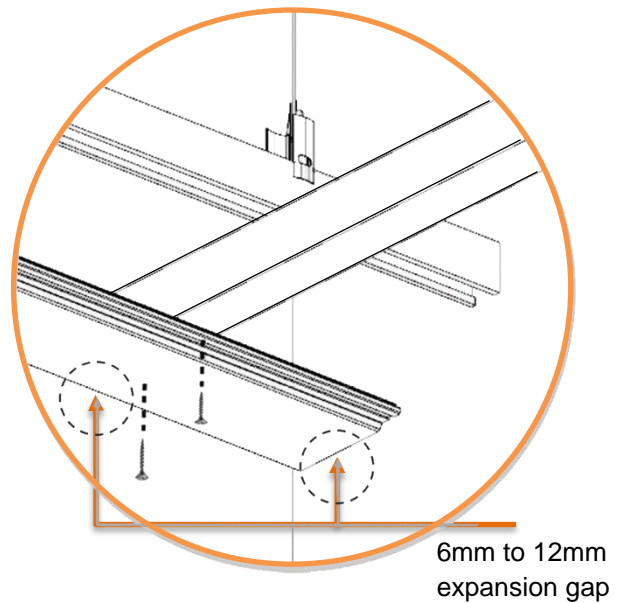
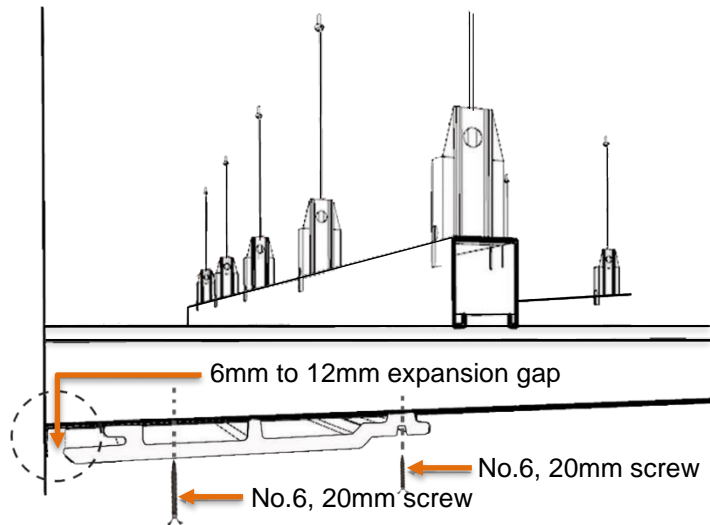
## Typical Ceiling Installation



# Installation Instruction



1



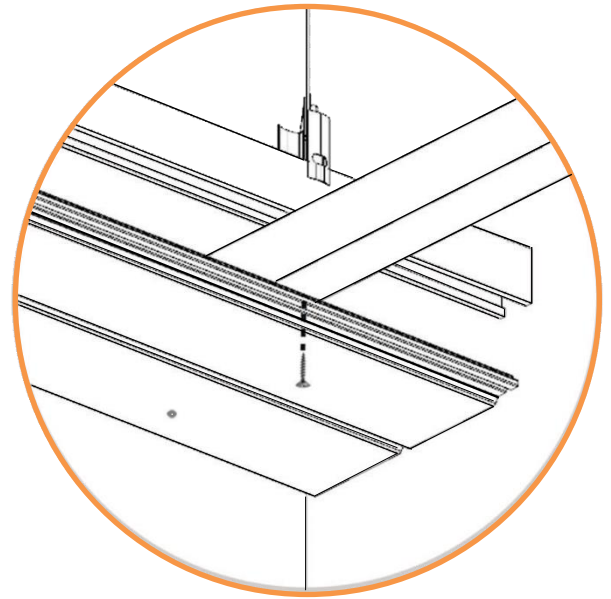
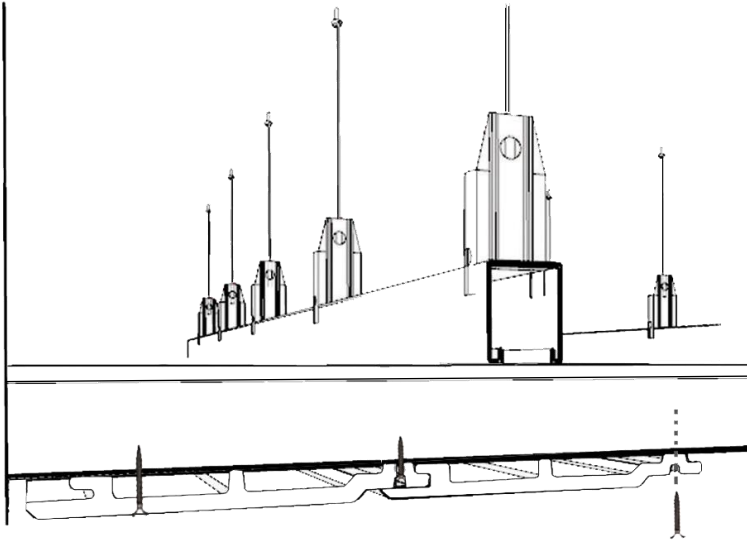
## Fixing the First Ceiling Panel

Start from one end, fasten the screws on the surface of the panel (not more than 50mm and not less than 15mm from the panel edge or panel end) to the “secondary beams”.

Then, fasten the screws in the groove of the first ceiling panel.

Allow a (6mm to 12mm expansion gap) between the ceiling panel edge/end and the surrounding walls.

2

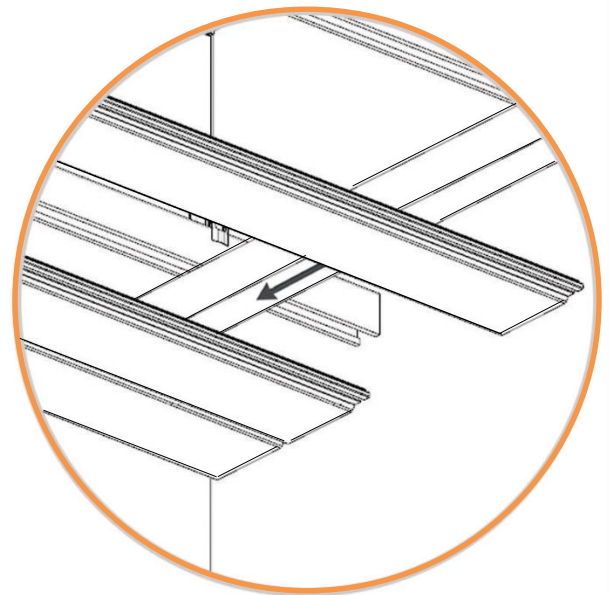
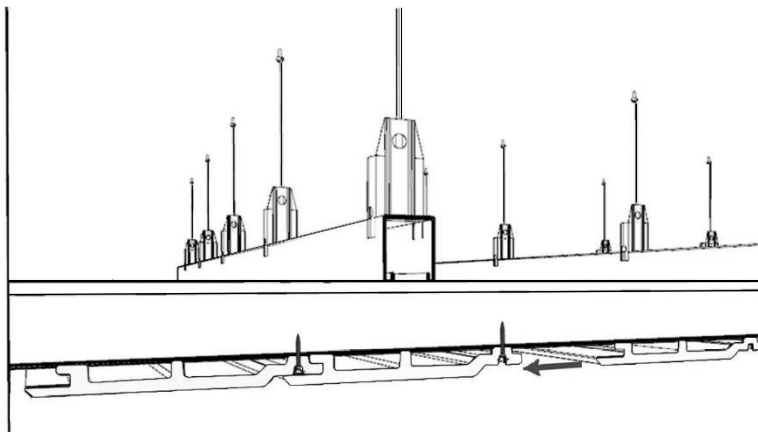


### Fixing the Second Ceiling Panel

Clip-in the second piece of ceiling panel in the perpendicular direction onto the first installed ceiling panel.

Fasten the screws in the groove of the second ceiling panel.

3

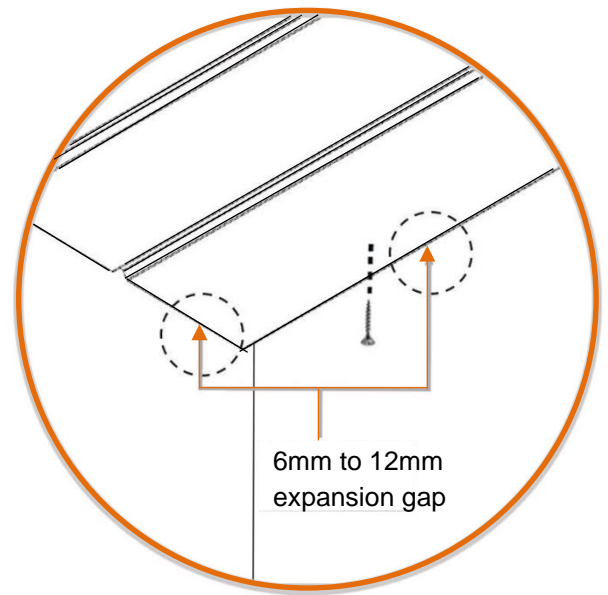
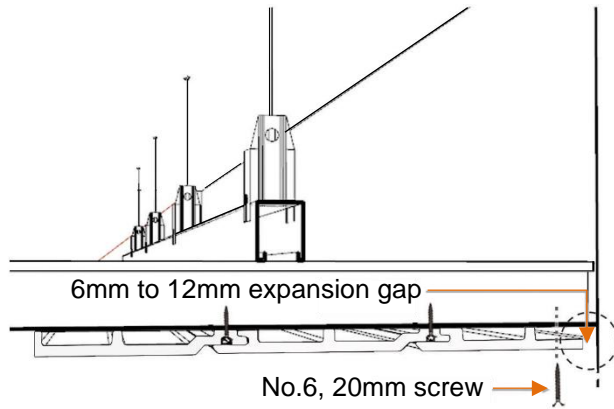


### Fixing the Next Ceiling Panel

Clip-in the next ceiling panel in the perpendicular direction onto the previous ceiling panel and fasten the screws in the groove.

Insert further panels in the previous one and repeat this process until you reach the required width.

4



### Fixing the Closing Ceiling Panel

If necessary, cut the closing ceiling panel to the required width and fasten the screws on the surface of the panel (not more than 50mm and not less than 15mm from the panel edge or panel end).

Allow a 6mm to 12mm expansion gap between the last ceiling panel edge and the wall.

If required, close or seal the perimeter with matching borders/linings

Your Installation Is Now Complete

#### Remarks:

All specifications suggested in this guide are based on use under normal condition only. Kindly counter check with the supplier/manufacturer for use under special conditions.